

# SC1887-EVK: SC1887 Evaluation Kit REVISION 3

## General Description

The SC1887-EVK is an engineering development tool used for the evaluation of Scintera’s SC1887 RFPAL\*. This kit consists of a reference PCB layout with all required RF components, USB/SPI adapter PCB, delay line, and connectors. Windows PC software, release notes and a hardware design guide are also provided on CDROM and via FTP download. All one needs for evaluation testing is a PA module, signal generator, intermediate stage driver amplifier(s), couplers, and attenuators as required to set RF levels.

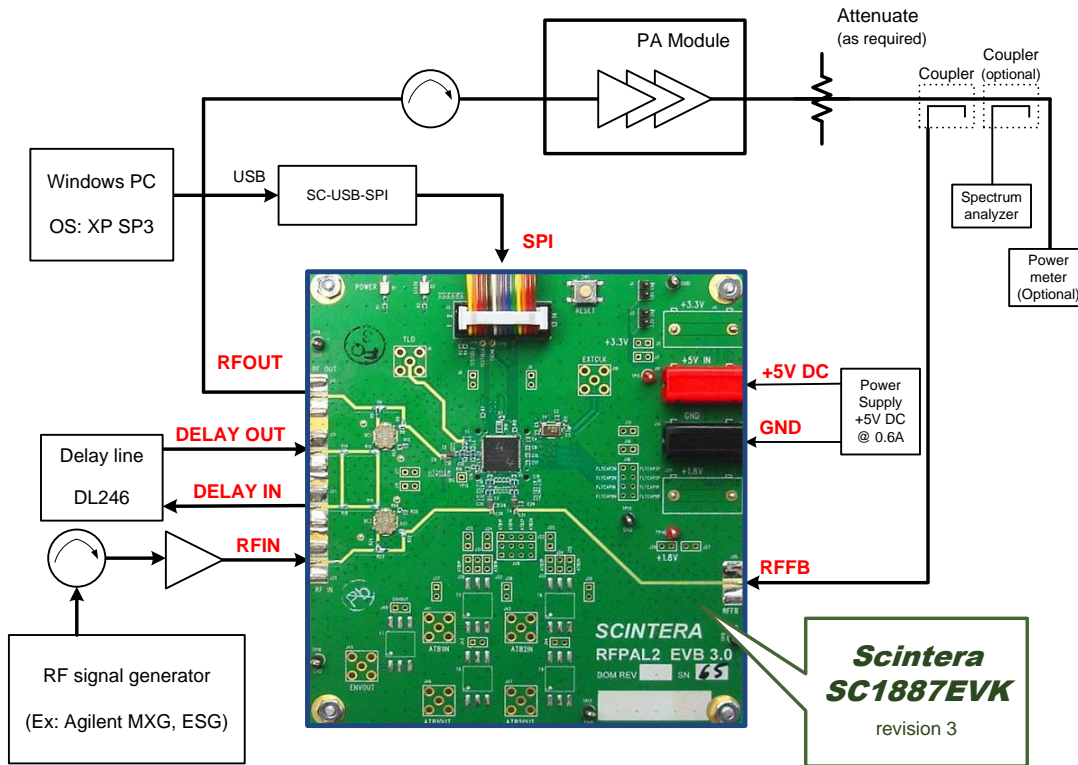


Figure 1 SC1887-EVK

Operating Temperature Range: -40 to +85 °C

\*RFPAL: Radio Frequency Power Amplifier Linearizer

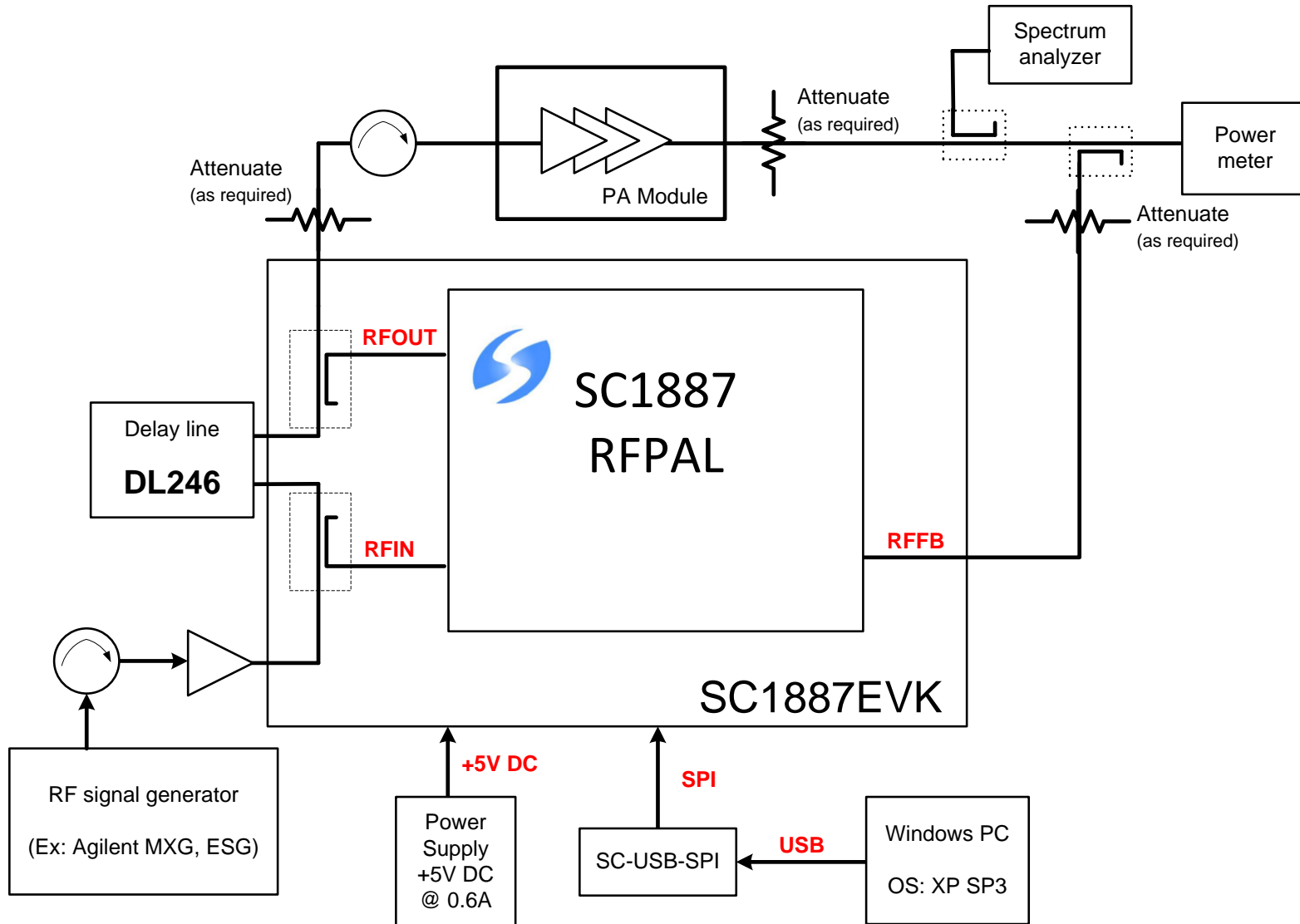
## Product Ordering Information

Part Number	Frequency Range
SC1887-EVK2200	2100-2700 MHz
SC1887-EVK1900	1800-2200 MHz
SC1887-EVK900	698-960 MHz

## Contact Information

For additional information, please contact Scintera Sales at:  
 1154 Sonora Court, Sunnyvale, CA 94086 • 408-636-2600 • <http://www.scintera.com>

Scintera™ and RFPAL2™ are trademarks of Scintera, Inc. All other trademarks are the property of their respective owners. The information in this document is of a preliminary nature. No circuit patent licenses are implied. Scintera reserves the right to change its product specifications at any time. © 2010 Scintera, Inc. All Rights Reserved.



**Figure 2 Detailed SC1887-EVK Connection Diagram**